

**Powerful
Airflow
That A
Breeze To
Maneuver**



MOBIELE SERIES



*Super large air volume, ultra-long
air blowing, feel the free win everywhere*

HEADQUARTER

Suria Giant Fan Services Sdn Bhd (1122001-T)
No 1-2, Jalan 2/14, Dataran Templer, Bandar Baru Selayang,
68100 Batu Caves, Selangor Darul Ehsan, Malaysia.

📞 **Manager: 019 736 2630**
📞 **General Line: 03 6127 0974**
📠 **Fax: 03 6120 8728**
✉ **Email: suria.khairilnuar@gmail.com**

WAREHOUSE

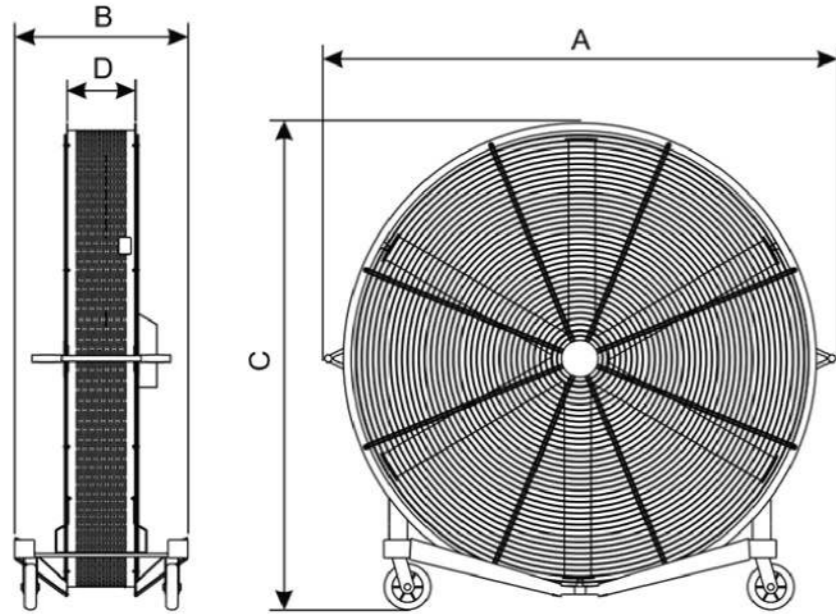
Suria Giant Fan Services Sdn Bhd (Warehouse)
Lot PT Nos 1395, 1396 and 1397 Section 18, Jalan Garing
Utama, Taman Garing Utama, 48000 Rawang, Selangor
Darul Ehsan, Malaysia

📞 **Mobile: 019 334 9691**
📞 **General Line: 03 6127 0974**
✉ **Email: suriagiantfan@gmail.com**



MOBILE SERIES

We designed Mobile Series with a 0.9m to 2.0m frame to fit through standard interior doors and indoor/outdoor rubber wheels that could handle any terrain. Perfect for everywhere from narrow aisles and crowded auto shops to outdoor wedding venues and fitness centres, we gave it handles on both sides, and made it light and maneuverable enough for one person to easily push around.



TECHNICAL SPECIFICATION

| Model | A | B | C | D |
|-----------|------|-----|------|-----|
| FJD-F2000 | 2230 | 770 | 2130 | 310 |
| FJD-F1500 | 1730 | 720 | 1650 | 310 |
| FJD-F1200 | 1320 | 620 | 1350 | 310 |
| FJD-F900 | 970 | 610 | 1160 | 310 |

DIAMETER

3 ft To 6.5 ft
(0.9M TO 2.0 M)

FRAME

OSHA-COMPLIANT STEEL
CAGE WITH ALL-TERRAIN
RUBBER WHEELS

VOLTAGE

110-125 OR 200-240
SINGLE PHASE VAC

WARRANTY

UP TO
5 YEARS

ENERGY-EFFICIENT BIG MOVABLE STANDING INDUSTRIAL FLOOR FAN

